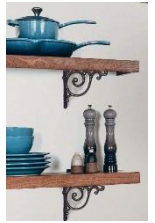




MOUNTING OPTIONS FOR FLOATING SHELVES/MANTELS*

1. L BRACKETS

- We offer a wide variety of brackets, and if you have a specific “look” or style in mind, send us a picture and we will do our best to get as close to it as possible.
- Price per bracket ranges from \$3 - \$10, depending on size, style, etc.
- This system will require you to mount the brackets on studs, which are usually spaced 16” apart, so they do limit exactly where you can mount the shelves.



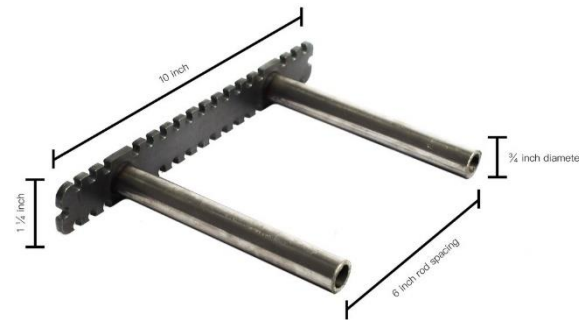
2. CLEAT SYSTEM

- This is a good option if you like the “floating” look, with no visible brackets/hardware
- Price per cleat is \$25 – shelves 24” and shorter require 1 cleat, shelves over 24” require 2
- This system gives more flexibility with where you can place your shelves/mantel. Although the bracket needs to be mounted to studs, the shelf/mantel can “slide” horizontally to the location you desire.
- Although this system does hold a lot of weight, it is not ideal for shelves that are wider than 10”. It also is not ideal for shelves/mantels that will be holding items that are moved around a lot – ie kitchen dishes , glasses, etc. because they tend to be “springy” and with daily movement of heavy items, may require adjustments from time to time. This system is ideal for shelves/mantels that hold mainly decorative items that tend not to be moved around a lot, and are high enough that they will not get “bumped” accidentally.
- When you purchase your shelf/mantel, it will have part of the bracket(s) already mounted to it, and the other piece(s) will come with your shelf, along with hardware and instructions for mounting it on the wall.



3. HEAVY DUTY STEEL ROD BRACKETS

- These brackets are the strongest and most solid option, for floating shelves/mantels
- Price per bracket range from \$35 to \$60. Most shelves only require 1 bracket, unless they are over 48”.
- Similar to the CLEAT SYSTEM, these offer flexibility in the exact placement of your shelves/mantel.
- When you purchase your shelf/mantel, it will come with the holes pre-drilled and all required hardware as well as instructions on how to mount the bracket to the wall, after which you simply slide the shelf/mantel onto the bracket.



TO WATCH A VIDEO WHICH SHOWS MORE ABOUT THE MOUNTING OPTIONS, CLICK HERE OR SCAN THE QR CODE BELOW.

(----- coming soon -----)

*PLEASE NOTE: We strongly encourage mounting into STUDS with all of our mounting options in order to ensure they do not lean, loosen, fall, etc. If mounted according to the instructions, the shelves and mantels will hold a minimum of 100 pounds of weight, regardless of the option chosen.

QUESTIONS? Contact Randy or Diane at 419-551-0094 or 419-551-6394